

TOYOTA Y Series

3Y/4Y

Gas

High Performance and Low Fuel Consumption

Long Maintenance Intervals

Proven Performance in the Market

Long Product Life



For CHP/GHP

3Y/4Y

Gas Engine For CHP/GHP



Features

High Performance, Highly Fuel-Efficient Gas/Gasoline Engine

- All of the major parts and systems of TOYOTA's stationary gas-powered engines have been comprehensively redesigned. The redesign included reducing friction in every moving part as well as optimizing the compression ratio, the shape of the combustion chamber, and the ignition position. The modified design works together with the electronically controlled ignition and fuel system to facilitate high performance and low fuel consumption.

Long Maintenance Intervals and Long Product Life

- A hydraulic lash adjuster automatically maintains proper tappet clearance and requires no maintenance.
- The 3Y/4Y engine offers low oil consumption thanks to optimized piston profiles and a blow-by gas filter inside the head cover. The exclusively designed long-life spark plugs provide long maintenance intervals of up to 10,000 hours (depending on the total oil volume in the application unit.)
- Commonly replaced parts concentrated on one side of the engine enhance ease of maintenance and serviceability.
- 3Y/4Y gas engines incorporate special materials and surface treatments that help them achieve a long life and high reliability.

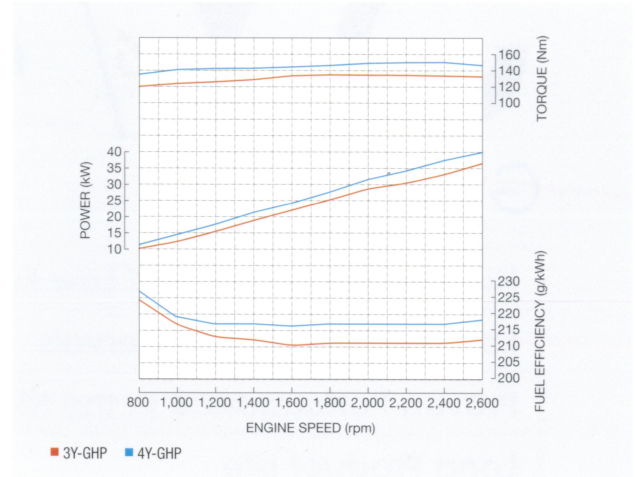
Low Noise

- A chain-driven camshaft and hydraulic lash adjuster promote high reliability and low noise.

Proven Market and Environmental Performance

- Over 15 years of experience in the industry.
- Compliant with the European ELV (end-of-life vehicle) Directive.

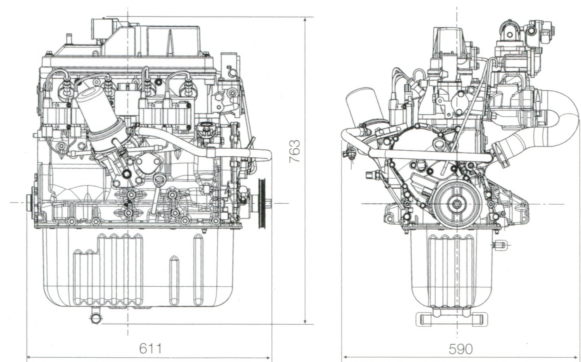
Performance Curve



Specifications

Engine Model	TOYOTA 3Y	TOYOTA 4Y
	GHP	CHP/GHP
Cylinder Arrangement	Inline Type 4-Cylinder	
Total Displacement	1,998 cc	2,237 cc
Bore × Stroke	86 × 86 mm	91 × 86 mm
Valve Type	OHV Chain Drive	
Combustion Chamber Design	Wedge Type	
Fuel Control	Electronic Fuel Injection	
After Treatment	—	
Configuration	4-Cycle Liquid Cooled System	
Max. Output kW/rpm (Reference Value)	36 kW / 2,600 rpm	40 kW / 2,600 rpm
Max. Torque Nm/rpm (Reference Value)	134 Nm / 1,800 rpm	149 Nm / 2,200 rpm
Specific Fuel Consumption at Rated Speed (Reference Value)	211 g/kWh	216 g/kWh
Dimensions (Length × Width × Height)	611 × 590 × 763 mm	
Dry Weight	122 kg	122 kg
Applications	CHP/GHP	

Dimensions (Unit: mm)



TOYOTA INDUSTRIES CORPORATION

3 Hama-cho, Hekinan-shi, Aichi 447-8507, Japan
TEL: +81-566-46-6218 (direct) FAX: +81-566-46-6322
URL: <http://www.toyota-industries.com/>
Engine URL: <http://www.toyota-industries.com/component/>