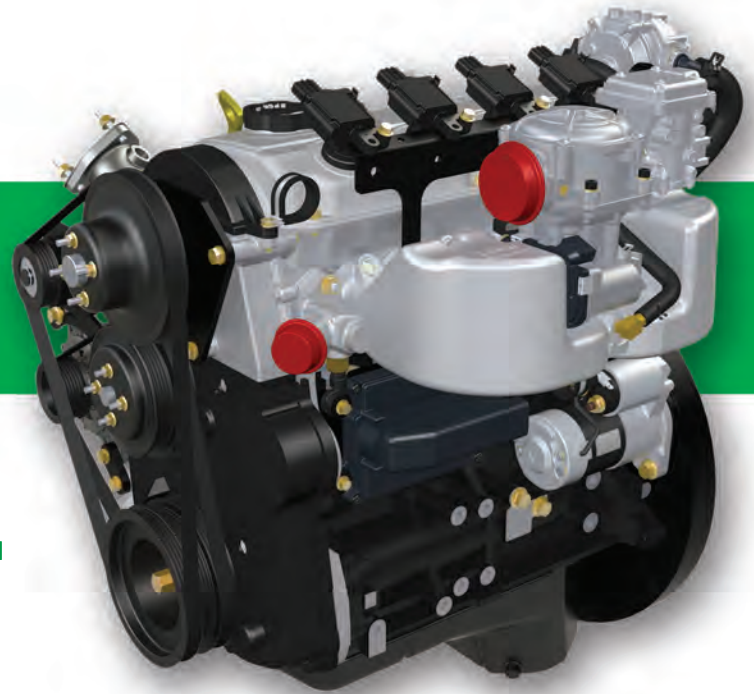




2.4 L INDUSTRIAL MOBILE

63.0 hp / 123.9 lb-ft (LPG)



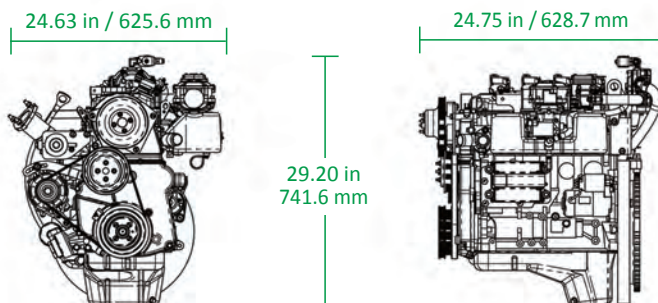
PSI's Industrial 2.4-liter engine is emission certified with the U.S. EPA and California ARB for off-road mobile use with gasoline, LPG and NG fuels. This fuel-flexible power unit is a fully integrated drop-in solution that delivers uncompromised power performance and maximum fuel efficiency.

The newly-designed and engineered 2.4-liter engine provides power, efficiency, durability, and noise and vibration advantages over previous units and easily integrates into existing 1.6-liter to 3.0-liter applications.

PSI has been a leader in the design, engineering and manufacture of efficient, high-performance power systems, providing integrated turnkey solutions to top global OEMs for nearly 30 years. Our products are used worldwide in power generators, forklifts, aerial lifts and industrial sweepers, as well as in oil and gas, aircraft ground support, agricultural and construction equipment.

GENERAL DATA

- 1) Fuel options: LPG, gasoline, bi-fuel
- 2) Sequential Electronic Fuel Injection (SEFI) for gasoline
- 3) Fuel and emission control system that meets Tier II EPA/CARB emission regulations for LSI engines
- 4) SAE flywheel housings and flywheels
- 5) Additional crankshaft pulleys
- 6) Cooling fans
- 7) Radiator
- 8) Electronic governors
- 9) Remote oil filter and auxiliary oil drain
- 10) Metal engine skid
- 11) Front PTO option
- 12) Highly-configurable Engine Management System (EMS) with CAN capabilities



FEATURES

- Premium timing and balance belts
- High silicon content pistons for improved durability and noise reduction
- Sintered powdered-metal exhaust valve seat inserts for enhanced durability
- World-class engine sealing system for superior leak protection
- Integral harmonic balancer/crankshaft pulley for easier accessory drive dress
- Intake/exhaust manifolds standard
- Emission Certified with U.S. EPA and CARB – Industrial Mobile

PSI 2.4-LITER ENGINE DATA

Cylinders	4
Induction system	Naturally aspirated
Combustion system	Spark-ignited
Cooling system	Water-cooled
Displacement	143 cid (2.351 L)
Compression ratio	9.5:1
Bore & Stroke	3.40 in x 3.93 in (86.5 mm x 100 mm)
Peak Power	63.0 hp (47.1 kw) @ 2800 rpm
Peak Torque	123.9 lb-ft (168.0 N-m) @ 1600 rpm
Fuel Type	Propane
Direction of rotation	Counter-clockwise viewed on flywheel
Dimensions – Length	24.63 in (625.6 mm)
Width	24.75 in (628.7 mm)
Height	29.20 in (741.6 mm)
Dry Weight	454 lb (206 kg)



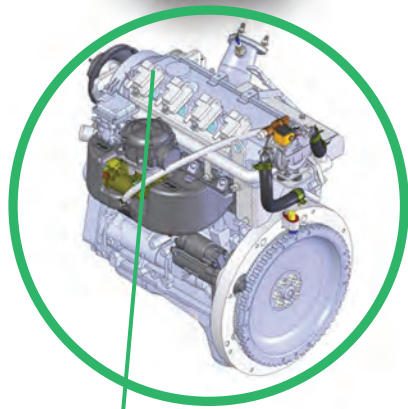
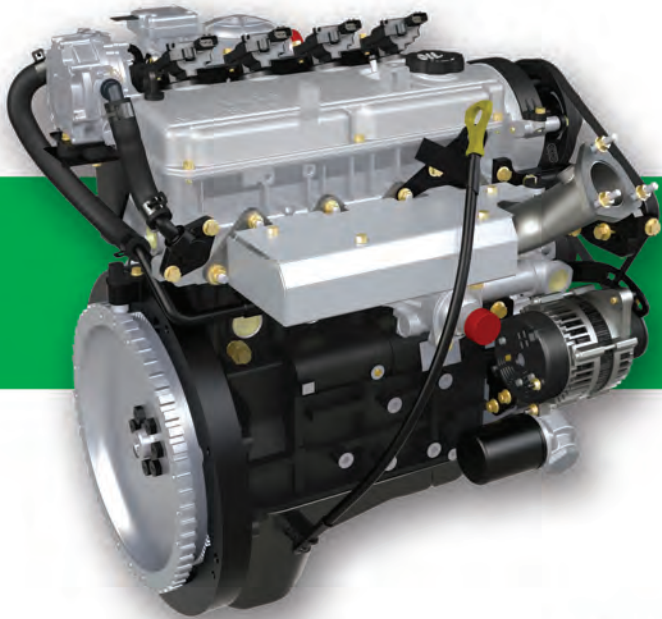
**POWER SOLUTIONS
INTERNATIONAL**

2.4L INDUSTRIAL MOBILE

63.0 hp / 123.9 lb-ft (LPG)

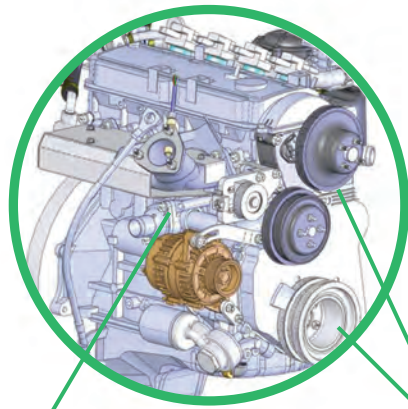
ENGINE HIGHLIGHTS

Exclusive features and enhancements to PSI's emission-friendly 2.4-liter engine optimize performance, extend engine life and service intervals, and reduce noise and vibration.



Coil at Plug Ignition

No waste spark reduces propensity for backfire



Inlet Side Thermostat

Enhances durability due to reduced thermal cycling after cold start

Balance Shaft

Eliminates 2nd-order vibrations at all speeds

Premium Valve Seat Inserts

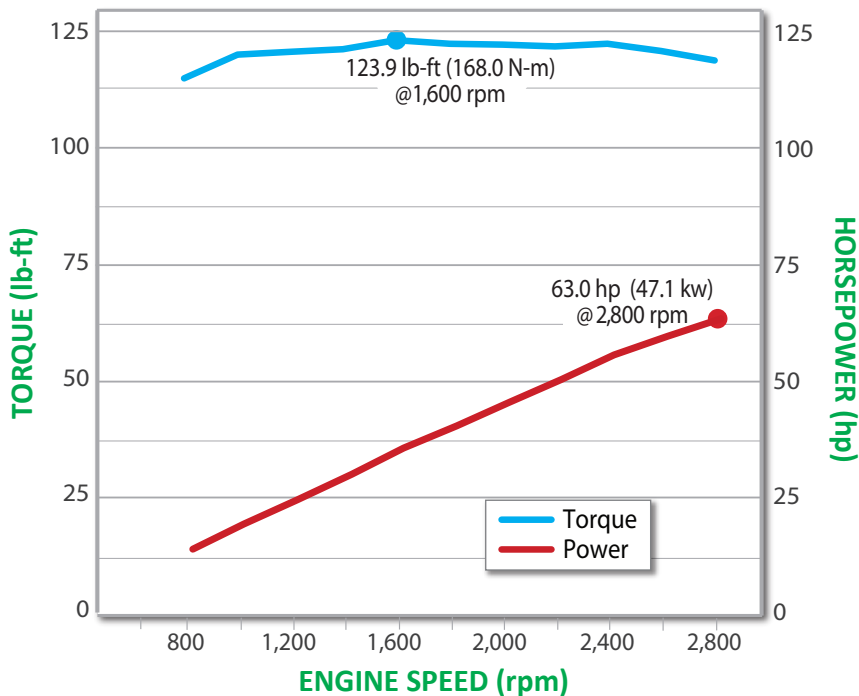
Valvetrain durability on gaseous fuels enabling 10,000+ hour B10 life

Hydraulic Lash Adjusters

Service-free valvetrain for life of engine

Premium Camshaft & Balance Shaft Belts

Extends service interval to 5,000 hours



TORQUE & POWER CURVES

Liquid Propane Fuel

POWERING A GREENER FUTURE

Power Solutions International 201 Mittel Drive, Wood Dale, IL 60191
T: 630-350-9400 • F: 630-350-9900 • psiengines.com